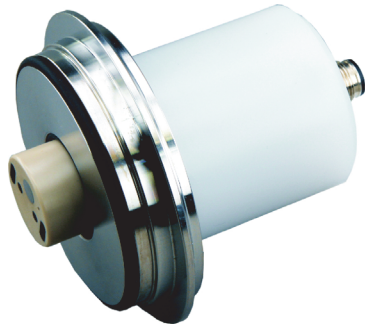


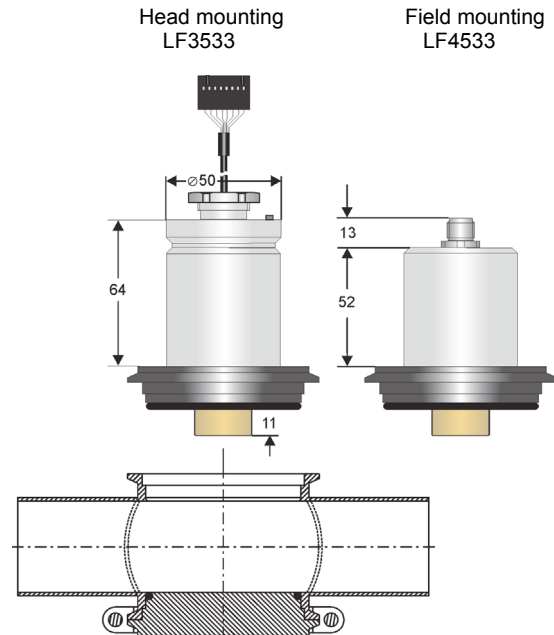
Product Information

Analysis - Conductivity

# Conductivity Cell LF3533 / LF4533



Dimensions



Characteristics

- 4-electrode hygienic flow-cell for VARIVENT®-Inline cases
- Application fields food- and chemical industry
- Measuring range from 0..20 µS/cm up to 0..500 mS/cm
- Insensitive against soiling
- No influence from polarization effects and line resistance

Technical data

Cell constant : C = 0.4 exact cell constant labeled on the type plate  
 Process temperature : -10..+120 °C  
 CIP-/SIP-capable 140°C < 1h  
 Process pressure : max. 16 bar  
 Process connection : VARIVENT® Inline case  
 Process material : PEEK, stainless steel 1.4404, graphite (electrodes) seal EPDM

*Electrical connection*  
 LF3533 : flat cable connector, only head mounting UNICON-LF  
 LF4533 : 8 pole round connector plug M12x1, IP67

-Material : brass nickel plated  
 Temperature measurement : integrated Pt1000 sensor DIN IEC751, class A

Ordering code

1. 2. 3.  
 LF  - C0.4 -  -

<b>1. Model</b>	
3533	head mounting UNICON-LF
4533	field mounting
<b>2. Process connection</b>	
DN25	VARIVENT connection DN25
DN40	VARIVENT connection DN40..DN125
<b>3. Options</b>	
00	without option
03	8 pole round plug SS-type

Connection diagram see page Fehler: Referenz nicht gefunden

Accessories see page Fehler: Referenz nicht gefunden

Note:  
 Conductivity cells LF1553 / LF2553 should **not** be mounted together with other cells in **one** VARIVENT® case.